



Wechat



whatsapp

DANYANG JOLIET
PHOTOELECTRIC TECHNOLOGY CO., LTD

Factory add: Fangxian industrial area, Danyang City,
Jiangsu province China

Tel/Fax : +86-511-86935298

M.T +86 13775514358

Website : www.joliet.cn

E-mail: david_yin@joliet.cn david.china.5@gmail.com

Skype: davidyinbin



DANYANG JOLIET
PHOTOELECTRIC TECHNOLOGY
CO., LTD



CIGA SOLAR light



The new CIGA SOLAR light

reflects the role of nature and the desire to stay connected with a more organic urban environment.

It relates to the pedestrian experience across an entire campus setting with a visually uniform family of products designed to enhance architectural applications.

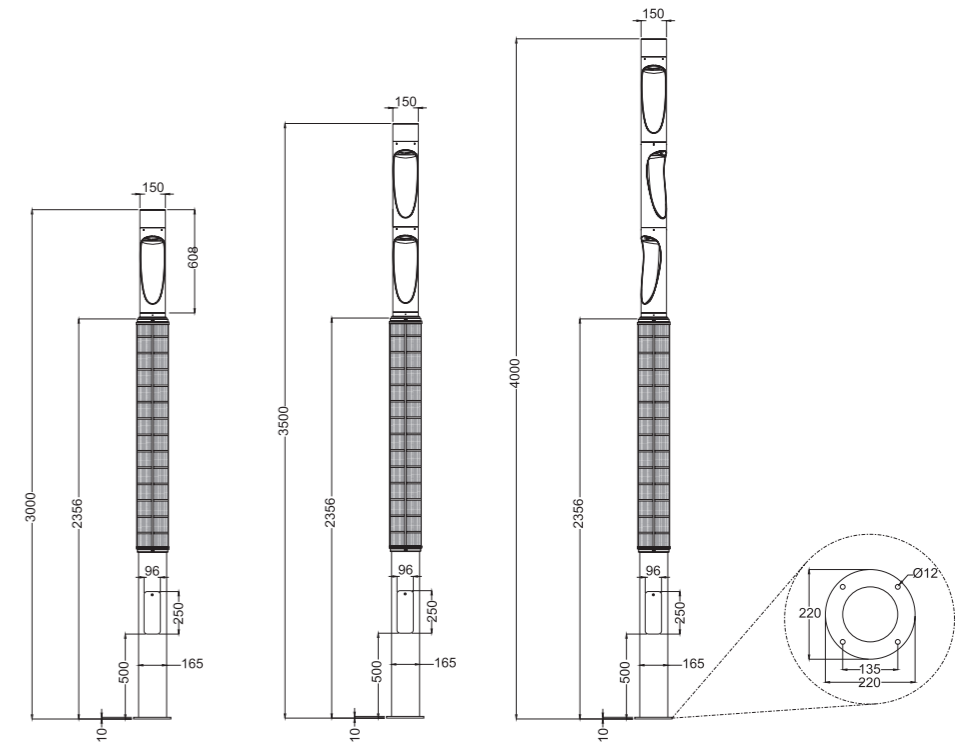
Can provide suitable light distribution scheme according to different usage scenarios,

CERTIFICATE



PRODUCT SPECIFICATION

Item	CIGA SOLAR		
Power	20W	25W	30W
Efficiency	>100lm/w		
Lumen output	≥2000lm	≥2500lm	≥3000lm
Battery	Lithium battery		
	≥2000lm	≥2500lm	≥3000lm
Life span	50,000hrs at Ta=25deg, L70/B10		
Color Temperature	1750K-6500K		
Optic lens	PC diffusion board		
Solar controller	HHY RD0306-S30		
Solar panels	120W Cylindrical component(17.7V)		
Conversion efficiency	≈17%		
Housing	Aluminum lamp head+galvanized lamp post		
Housing color	●RAL 7035 ●RAL7024 (others upon request)		
IP Rating	IP66		
IK Rating	IK08		
Working Temperature	-20°C ~ + 60°C		
Continuous lighting time	2 days		
Warranty	5 years (BATTERY LIFE Charge and discharge ≤ 2000 times)		

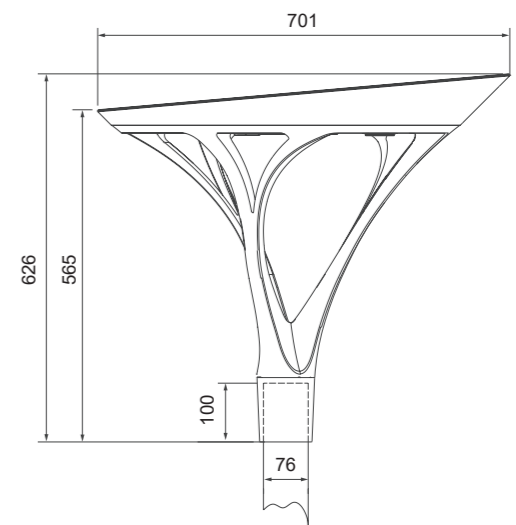


APPLICATIONS

- 
 BUILDING SURROUNDS
- 
 PARKS, PROMENADES & PATHWAYS
- 
 PEDESTRIAN AREAS & CYCLE PATHS
- 
 URBAN & RESIDENTIAL STREETS



Solar Kani A



APPLICATIONS



BUILDING SURROUNDS



PARKS, PROMENADES & PATHWAYS

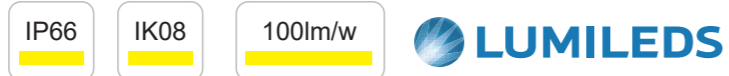


PEDESTRIAN AREAS & CYCLE PATHS



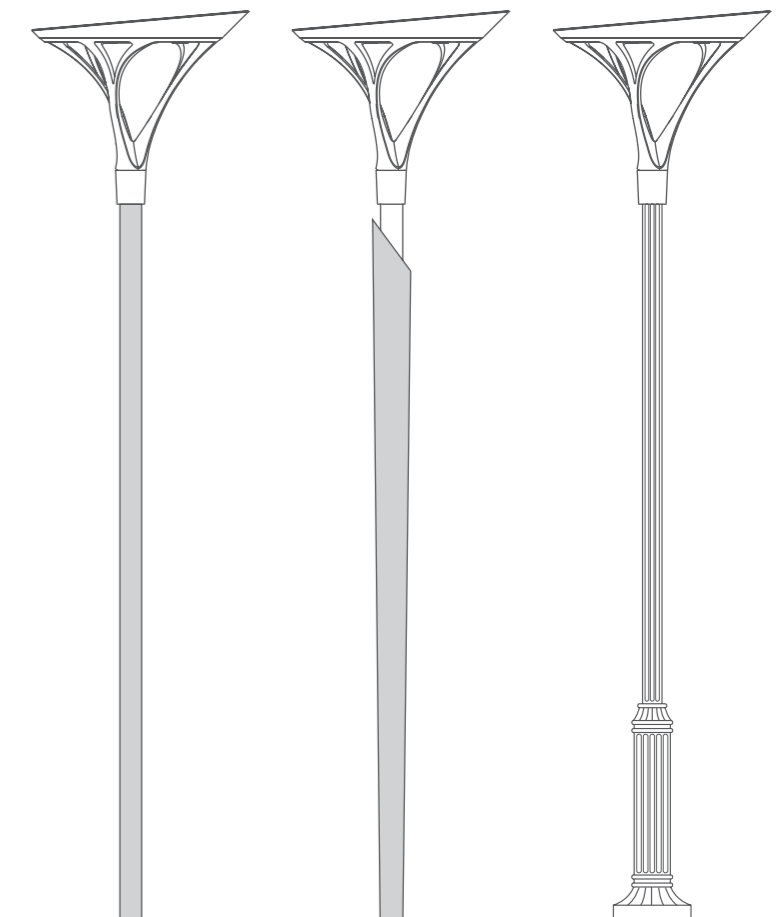
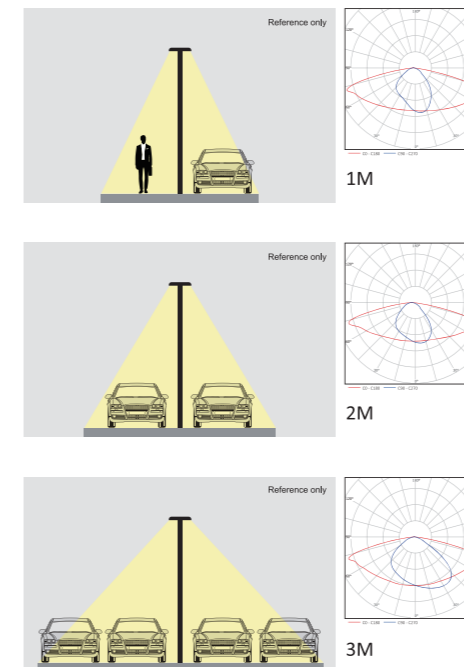
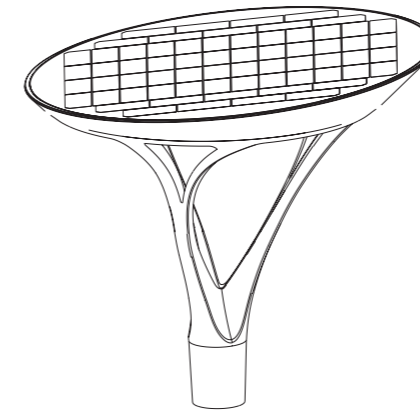
URBAN & RESIDENTIAL STREETS

CERTIFICATE



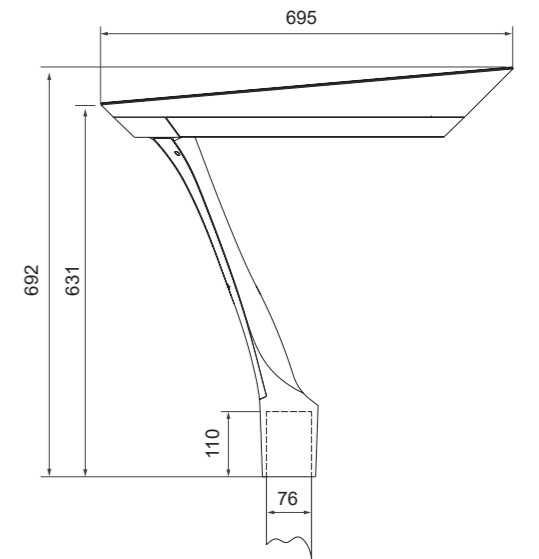
PRODUCT SPECIFICATION

Item	KANI A SOLAR
Power	50W
Efficiency	>100lm/w
Lumen output	≥2000lm
Battery	Lithium battery
	6.4V 45AH
Life span	60,000hrs at Ta=25deg, L70/B10
Color Temperature	2700K-6500K
Optic lens	PC lens
Solar controller	6.4V / 4MOS
Solar panels	55W(8V)
Conversion efficiency	≈17%
Housing	Die-casting aluminum
Housing color	●RAL 7035 ●RAL7024 (others upon request)
IP Rating	IP66
IK Rating	IK08
Working Temperature	-20°C ~ + 60°C
Continuous lighting time	2 days
Warranty	5 years (BATTERY LIFE Charge and discharge ≤ 2000 times)





Solar Kani B



APPLICATIONS



BUILDING SURROUNDS



PARKS, PROMENADES & PATHWAYS

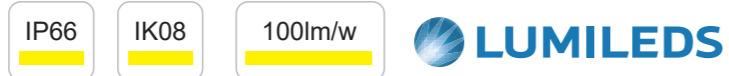


PEDESTRIAN AREAS & CYCLE PATHS



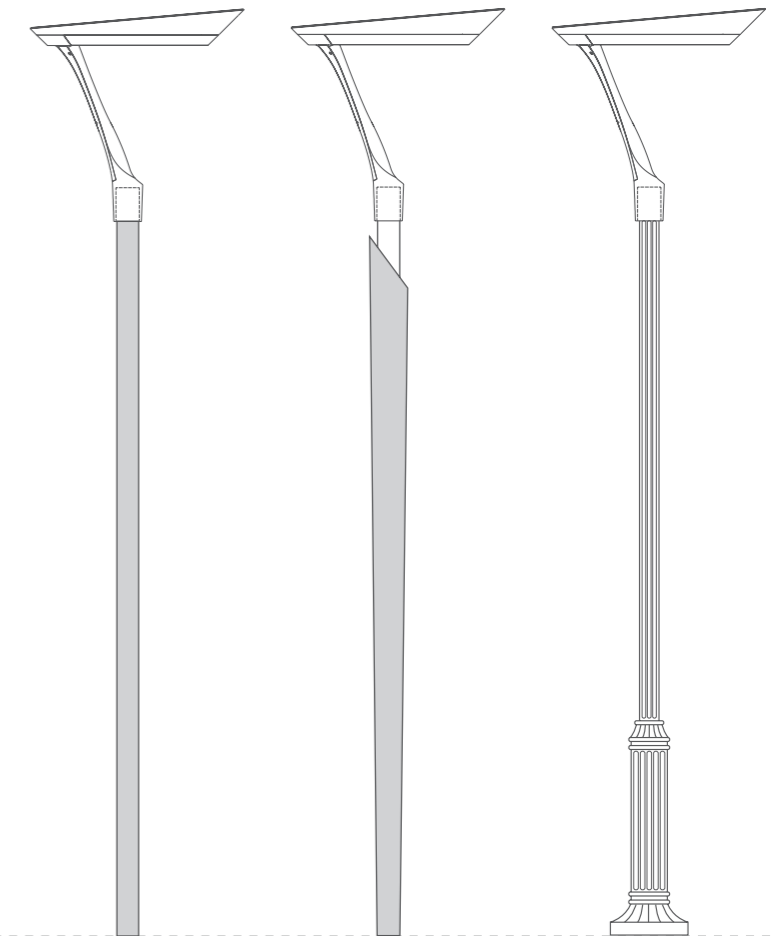
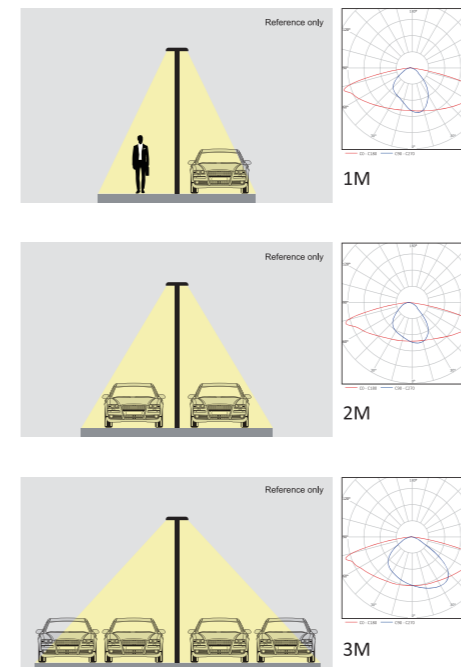
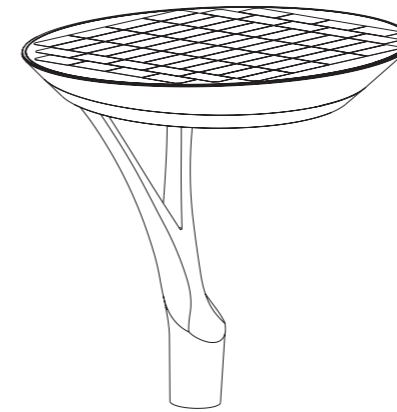
URBAN & RESIDENTIAL STREETS

CERTIFICATE



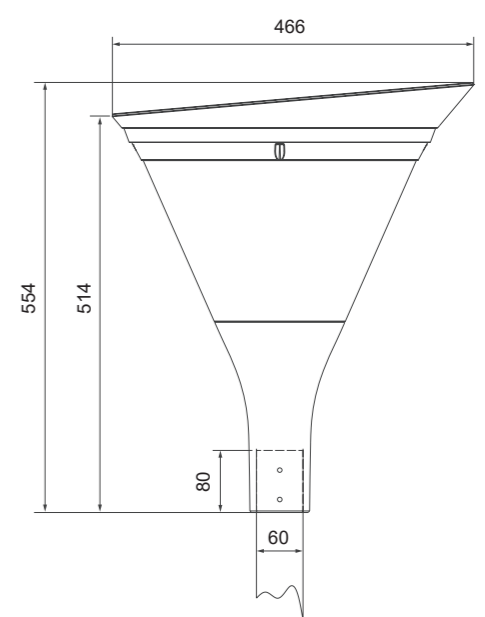
PRODUCT SPECIFICATION

Item	KANI B SOLAR
Power	50W
Efficiency	>100lm/w
Lumen output	≥2000lm
Battery	Lithium battery
	6.4V 45AH
Life span	60,000hrs at Ta=25deg, L70/B10
Color Temperature	2700K-6500K
Optic lens	PC lens
Solar controller	6.4V / 4MOS
Solar panels	55W(8V)
Conversion efficiency	≈17%
Housing	Die-casting aluminum
Housing color	●RAL 7035 ●RAL7024 (others upon request)
IP Rating	IP66
IK Rating	IK08
Working Temperature	-20°C ~ + 60°C
Continuous lighting time	2 days
Warranty	5 years (BATTERY LIFE Charge and discharge ≤ 2000 times)





Solar sky 2



APPLICATIONS



BUILDING SURROUNDS



PARKS, PROMENADES & PATHWAYS

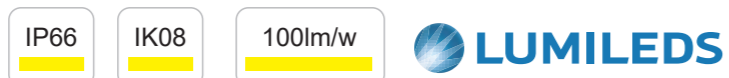


PEDESTRIAN AREAS & CYCLE PATHS



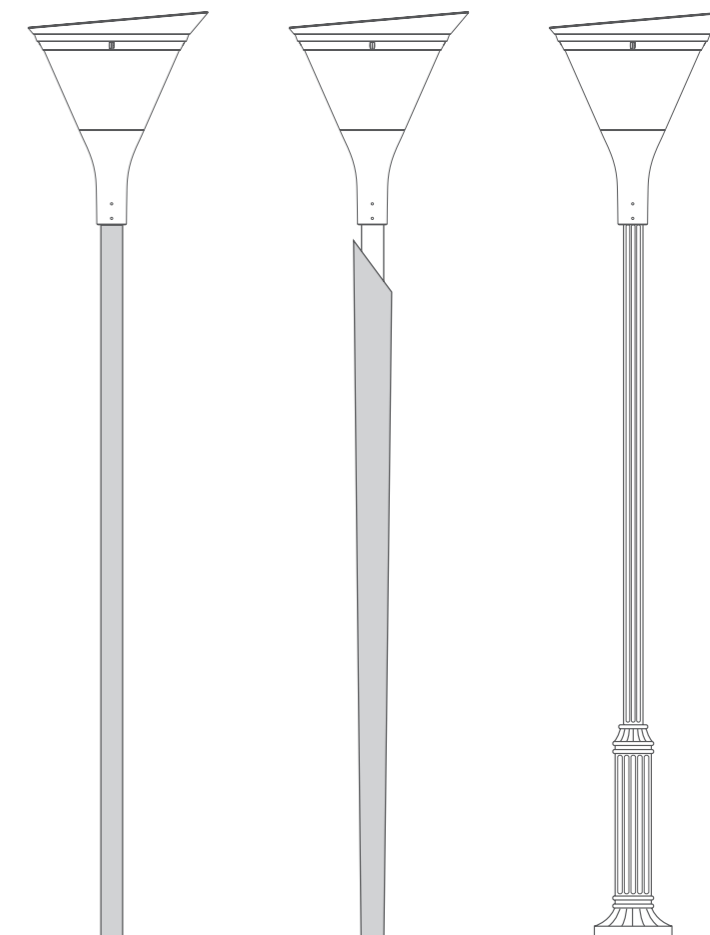
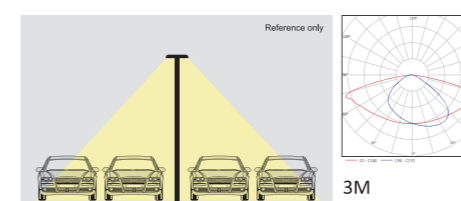
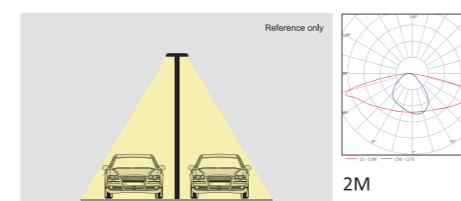
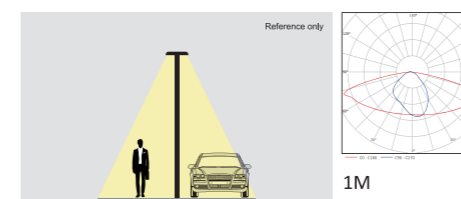
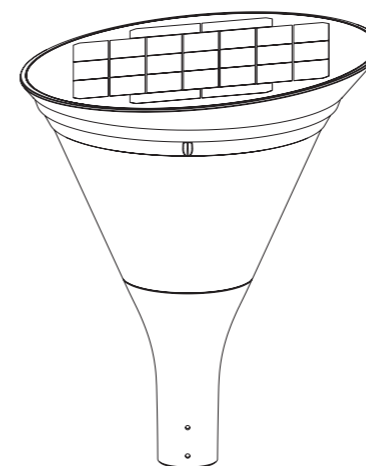
URBAN & RESIDENTIAL STREETS

CERTIFICATE



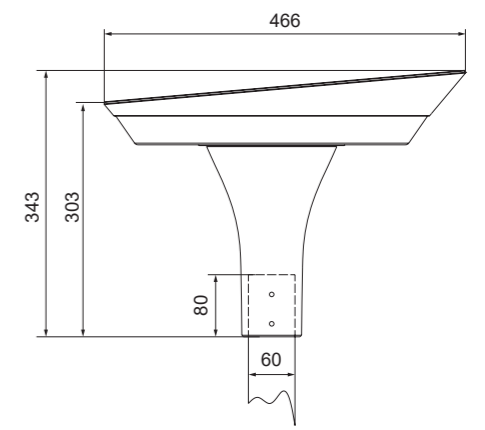
PRODUCT SPECIFICATION

Item	SKY-2 MINI SOLAR
Power	20W
Efficiency	>100lm/w
Lumen output	≥2000lm
Battery	Lithium battery
	3.2V 30AH
Life span	60,000hrs at Ta=25deg, L70/B10
Color Temperature	2700K-6500K
Optic lens	PC Cover
Solar controller	HHY RD0306-S30
Solar panels	25W(6V)
Conversion efficiency	≈17%
Housing	Die-casting aluminum
Housing color	●RAL 7035 ●RAL7024 (others upon request)
IP Rating	IP66
IK Rating	IK08
Working Temperature	-20°C ~ + 60°C
Continuous lighting time	2 days
Warranty	5 years (BATTERY LIFE Charge and discharge ≤ 2000 times)





Solar sky 3



APPLICATIONS



BUILDING SURROUNDS



PARKS, PROMENADES & PATHWAYS

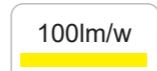


PEDESTRIAN AREAS & CYCLE PATHS



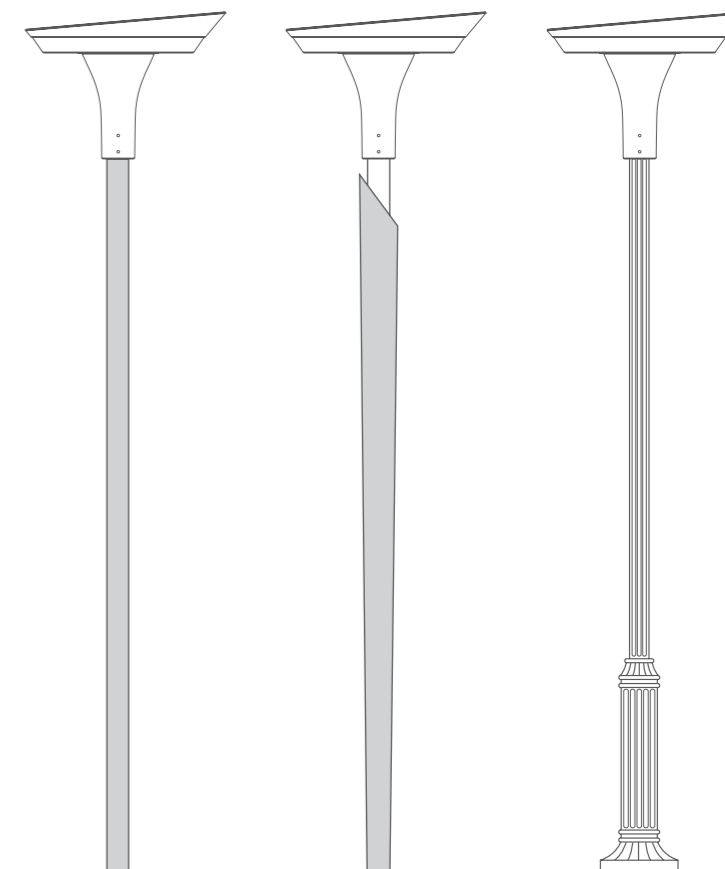
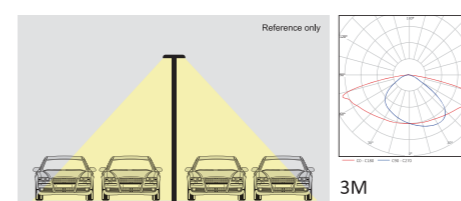
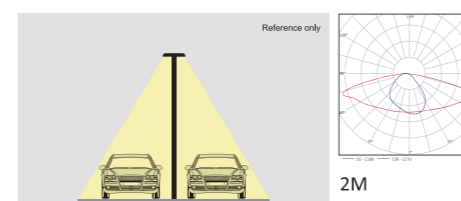
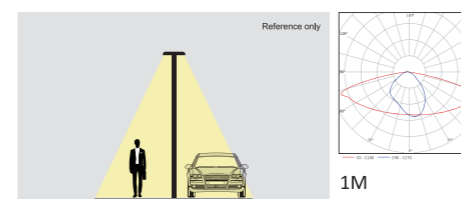
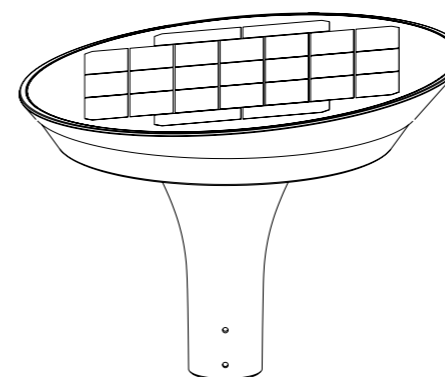
URBAN & RESIDENTIAL STREETS

CERTIFICATE



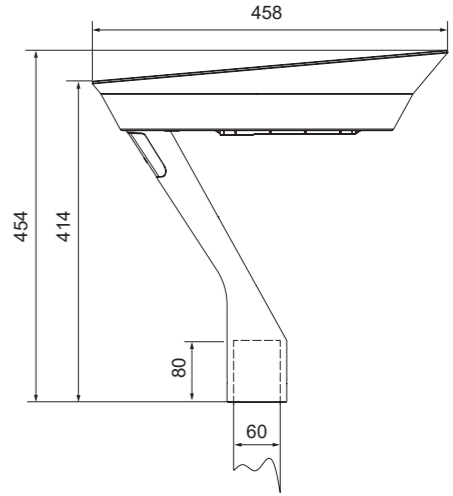
PRODUCT SPECIFICATION

Item	SKY-3 MINI SOLAR
Power	20W
Efficiency	>100lm/w
Lumen output	≥2000lm
Battery	Lithium battery
	3.2V 30AH
Life span	60,000hrs at Ta=25deg, L70/B10
Color Temperature	2700K-6500K
Optic lens	PC Cover
Solar controller	HHY RD0306-S30
Solar panels	25W(6V)
Conversion efficiency	≈17%
Housing	Die-casting aluminum
Housing color	●RAL 7035 ●RAL7024 (others upon request)
IP Rating	IP66
IK Rating	IK08
Working Temperature	-20°C ~ + 60°C
Continuous lighting time	2 days
Warranty	5 years (BATTERY LIFE Charge and discharge ≤ 2000 times)





Solar sky 4



APPLICATIONS



BUILDING SURROUNDS



PARKS, PROMENADES & PATHWAYS

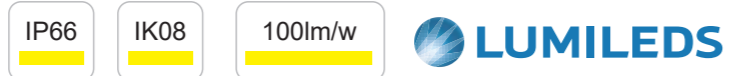


PEDESTRIAN AREAS & CYCLE PATHS



URBAN & RESIDENTIAL STREETS

CERTIFICATE



PRODUCT SPECIFICATION

Item	SKY-4 MINI SOLAR
Power	20W
Efficiency	>100lm/w
Lumen output	≥2000lm
Battery	Lithium battery
	3.2V 30AH
Life span	60,000hrs at Ta=25deg, L70/B10
Color Temperature	2700K-6500K
Optic lens	PC Cover
Solar controller	HHY RD0306-S30
Solar panels	25W(6V)
Conversion efficiency	≈17%
Housing	Die-casting aluminum
Housing color	●RAL 7035 ●RAL7024 (others upon request)
IP Rating	IP66
IK Rating	IK08
Working Temperature	-20°C ~ + 60°C
Continuous lighting time	2 days
Warranty	5 years (BATTERY LIFE Charge and discharge ≤ 2000 times)

