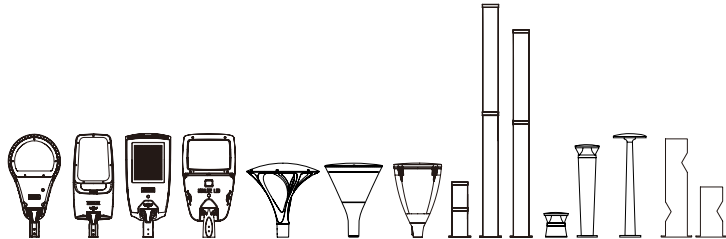
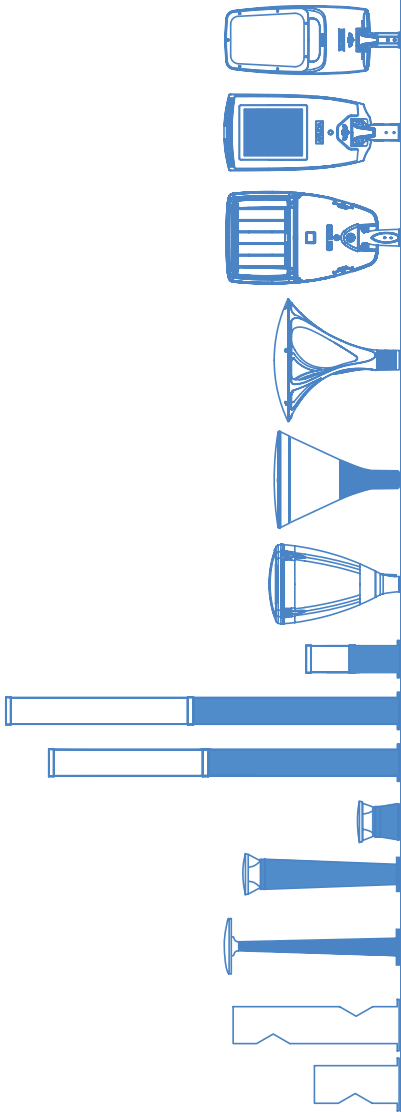


# LED BOLLARD



丹阳市吉来特光电技术有限公司  
 DANYANG JOLIET PHOTOELECTRIC TECHNOLOGY  
 Factory add: Fangxian industrial area,Danyang City,Jiangsu province China  
 Tel/Fax : +86-511-86935298  
 Website : [www.joliet.cn](http://www.joliet.cn)  
 E-mail: [david\\_yin@joliet.cn](mailto:david_yin@joliet.cn) [david.china.5@gmail.com](mailto:david.china.5@gmail.com)  
 Skype: davidyinbin

2024  
[www.joliet.cn](http://www.joliet.cn)





We-Joliet Lighting LIMITED established in 2000, is an enterprise specializing in manufacturing a complete series of lighting products covering lighting fixtures, electrical components and light sources. At the beginning of foundation, SUNSHINELUX owns the dream and mission of Technology Lightens Future and we have always been focusing on the LED street lights, urban lights and other LED outdoor lights research and manufacture. After 15 years development and accumulation, SUNSHINELUX becomes a professional company in the lighting industry of China. We have the professional LAB room to testing lighting. The equipped advanced photometric testing apparatus ,water proof & dust proof test machine, high & low temperature test machine as well as computer assisted R& D center strongly support us manufacturing professional lighting fixtures.

As the pioneer of national LED intelligent lighting, SUNSHINELUX lighting always puts technological innovations as the core of company development. SUNSHINELUX spares a lot to develop and research LED intelligent lighting fixtures since 2004, and positively cooperate with national scientific institution and other advanced institutions. Till now SUNSHINELUX has owned over 60 technologic patents and 25 result-transforming programs. SUNSHINELUX is now rewarded as national high-tech company and provincial research and development center.



Under the guide line and goal of leaning on quality, innovation, and customers' satisfaction , we introduced advanced production lines from abroad as well as international management system and advanced R&D conception, inviting able people's join and keep on innovating...With the strong support of professional technology together with high efficient leadership group

We have formed an extensive sales network, providing the best products and the most rapid services for various major projects. at home and abroad covering around 70 countries and area in Europe, America, Asia, Australia, Africa, gained customers' priceless trust and loyalty with our reliable quality and credit. we are OEM for many big lighting group in the wold .In 2015, we successfully crossed \$50 million in annual sales

Come to us dear friends, welcome to join us. We will be your first choice with our top quality, factory price and professional follow up service.





1 KANI L



5 MASH



9 NUT



13 NUT Plus



17 NELSON



21 MEGA-A



25 MEGA-B



29 MAROLA PLUS





# KANI L

LED Bollard light series



KANI L as a led bollard , it belongs to the KANI family of products  
 Integrating into the environment, maintaining architectural consistency, and being in line  
 with nature are the biggest design features of this product series  
 As a lawn lamp, KANI L perfectly interprets this design concept

## APPLICATIONS



BUILDING  
SURROUNDS



PARKS,  
PROMENADES &  
PATHWAYS



PEDESTRIAN  
AREAS & CYCLE  
PATHS



URBAN &  
RESIDENTIAL  
STREETS





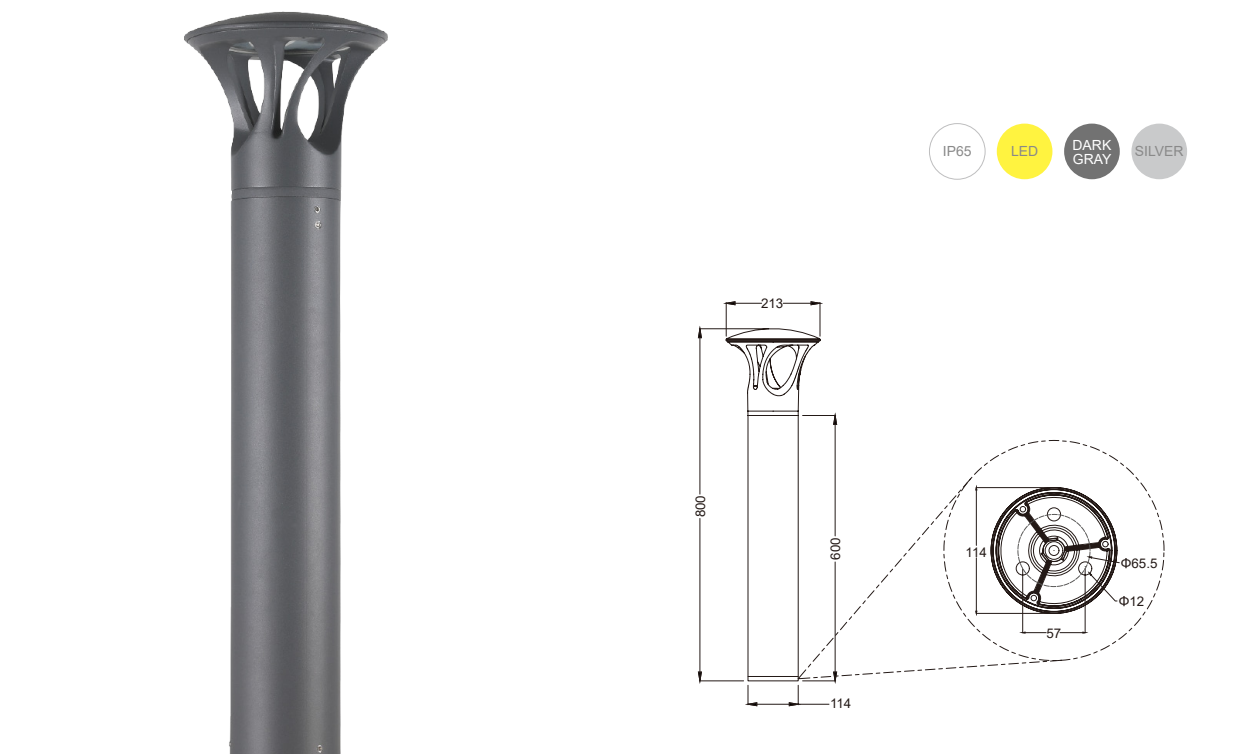
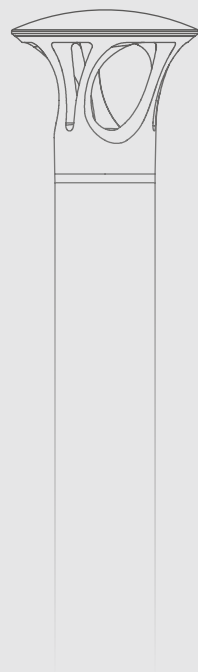
# KANI-L LED Bollard light Specification

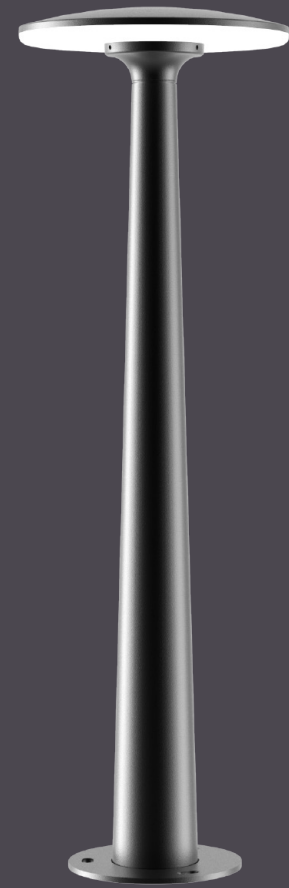
## CERTIFICATE



## PRODUCT SPECIFICATION

Item	KANI L		
Power	20W	30W	40W
Efficiency	>140lm/w		
Lumen output	≥2800lm	≥4200lm	≥5600lm
Led chips	Philips lumileds 3030		
CRI	>80		
Life span	60,000hrs at Ta=25deg, L70/B10		
Color Temperature	2700K-6500K		
Optic lens	PC Lenses		
Driver	Philips Xi-EP series ( others upon request )		
Input Voltage	100~305 VAC (Depending on driver model) 47~63 Hz		
Power factor	>95%		
THD	<10%		
Protection level	CLASS I		
SPD	10KV (optional 20KV or other)		
Housing	aluminum by die-casting		
Finish	powder coating		
Housing color	● RAL 7035	● RAL7024 ( others upon request )	
IP Rating	IP66		
IK Rating	IK09		
Working Temperature	-30°C ~ + 65°C		
Warranty	5 years		





# MASH

LED Bollard light series



**HOUSING**  
Diecast aluminum, Stainless steel screws, Silicon seal gaskets

**DIFFUSER**  
Frosted acrylic

**COLOR TEMPERATURE**  
3000K, 5700K

**LUMENS MEASURED**  
Luminaire lumens, 3000K

**FINISH**  
Dark gray or Silver powdercoating

**PROTECTION CLASS**  
IP 65

**ELECTRICAL DATA**  
- LED 16W, 220-240V, 50-60Hz, Integral driver

## APPLICATIONS



BUILDING  
SURROUNDS



PARKS,  
PROMENADES &  
PATHWAYS



PEDESTRIAN  
AREAS & CYCLE  
PATHS



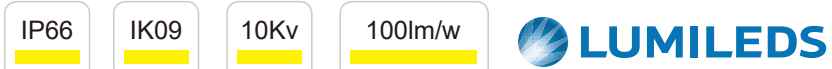
URBAN &  
RESIDENTIAL  
STREETS





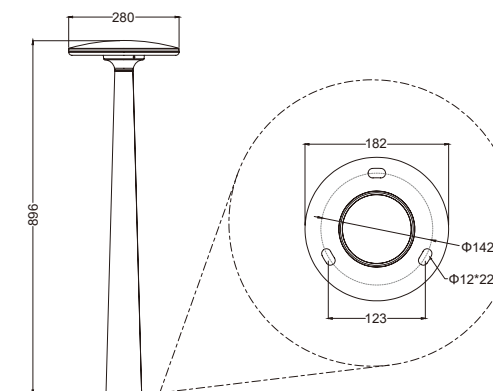
MASH LED Bollard light Specification

CERTIFICATE



PRODUCT SPECIFICATION

Item	MASH		
Power	10W	15W	20W
Efficiency	>100lm/w		
Lumen output	≥1000lm	≥1500lm	≥2000lm
Led chips	AC 2835		
CRI	>80		
Life span	50,000hrs at Ta=25deg, L70/B10		
Color Temperature	2700K-6500K		
Optic lens	PC Cover		
Driver	AC solution		
Input Voltage	100~240 VAC 47~63 Hz		
Power factor	>95%		
THD	<10%		
Protection level	CLASS I		
SPD	10KV ( Optional )		
Housing	aluminum by die-casting		
Finish	powder coating		
Housing color	● RAL 7035	● RAL7024 ( others upon request )	
IP Rating	IP66		
IK Rating	IK09		
Working Temperature	-30°C ~ + 65°C		
Warranty	5 years		





# NUT

LED Bollard light series



#### HOUSING

Diecast aluminum, Stainless steel screws, Silicon seal gaskets

#### DIFFUSER

clear crystal glass

#### COLOR TEMPERATURE

3000K, 5700K

#### LUMENS MEASURED

Luminaire lumens, 3000K

#### FINISH

Dark gray or Silver powdercoating

#### PROTECTION CLASS

IP 65

#### ELECTRICAL DATA

- LED 14W, 220~240V, 50~60Hz, Integral driver

#### APPLICATIONS



BUILDING  
SURROUNDS



PARKS,  
PROMENADES &  
PATHWAYS



PEDESTRIAN  
AREAS & CYCLE  
PATHS



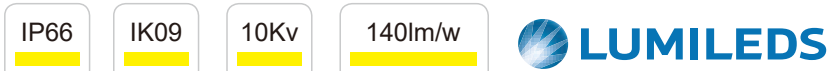
URBAN &  
RESIDENTIAL  
STREETS





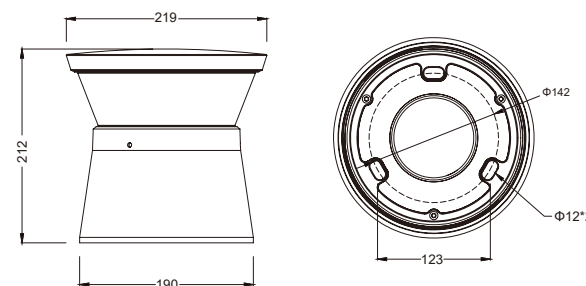
# NUT LED Bollard light Specification

## CERTIFICATE



## PRODUCT SPECIFICATION

Item	NUT		
Power	10W	15W	20W
Efficiency	>140lm/w		
Lumen output	≥1400lm	≥2100lm	≥2800lm
Led chips	TD2835		
CRI	>80		
Life span	50,000hrs at Ta=25deg, L70/B10		
Color Temperature	2700K-6500K		
Optic lens	PC Cover		
Driver	AC solution (Optional driver)		
Input Voltage	100~240 VAC 47~63 Hz		
Power factor	>95%		
THD	<10%		
Protection level	CLASS I		
SPD	10KV ( Optional )		
Housing	aluminum by die-casting		
Finish	powder coating		
Housing color	● RAL 7035	● RAL7024 ( others upon request )	
IP Rating	IP66		
IK Rating	IK09		
Working Temperature	-30°C ~ + 65°C		
Warranty	5 years		





# NUT PLUS

LED Bollard light series



**HOUSING**  
 Diecast aluminum, Aluminum reflector  
 Stainless steel screws, Silicon seal gaskets

**DIFFUSER**  
 Clear crystal glass

**COLOR TEMPERATURE**  
 3000K, 5700K

**LUMENS MEASURED**  
 Luminaire lumens, 3000K

**FINISH**  
 Dark gray or Silver powdercoating

**PROTECTION CLASS**  
 IP 65

**ELECTRICAL DATA**  
 - LED 14W, 220-240V, 50-60Hz, Integral driver

## APPLICATIONS



BUILDING  
SURROUNDS



PARKS,  
PROMENADES &  
PATHWAYS



PEDESTRIAN  
AREAS & CYCLE  
PATHS



URBAN &  
RESIDENTIAL  
STREETS





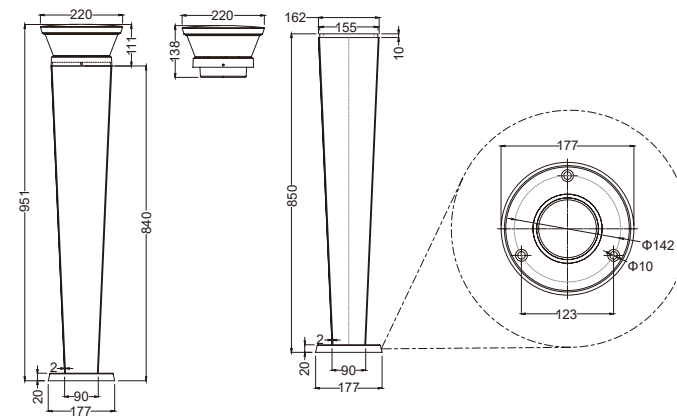
# NUT PLUS LED Bollard light Specification

## CERTIFICATE



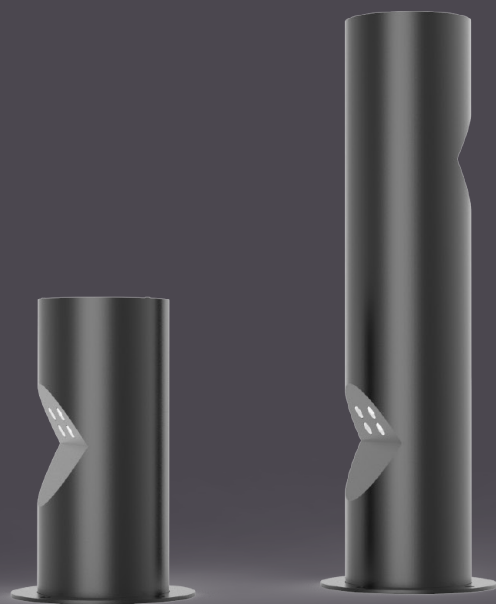
## PRODUCT SPECIFICATION

Item	NUT PLUS		
Power	10W	15W	20W
Efficiency	>140lm/w		
Lumen output	≥1400lm	≥2100lm	≥2800lm
Led chips	TD2835		
CRI	>80		
Life span	50,000hrs at Ta=25deg, L70/B10		
Color Temperature	2700K-6500K		
Optic lens	PC Cover		
Driver	AC solution (Optional driver)		
Input Voltage	100~240 VAC 47~63 Hz		
Power factor	>95%		
THD	<10%		
Protection level	CLASS I		
SPD	10KV ( Optional )		
Housing	aluminum by die-casting		
Finish	powder coating		
Housing color	● RAL 7035	● RAL7024 ( others upon request )	
IP Rating	IP66		
IK Rating	IK09		
Working Temperature	-30°C ~ + 65°C		
Warranty	5 years		



# NELSON

LED Bollard light series



## APPLICATIONS



BUILDING  
SURROUNDS



PARKS,  
PROMENADES &  
PATHWAYS



PEDESTRIAN  
AREAS & CYCLE  
PATHS



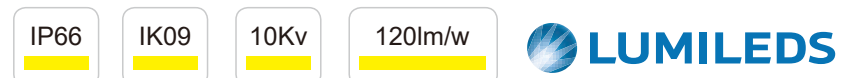
URBAN &  
RESIDENTIAL  
STREETS





# NELSON LED Bollard light Specification

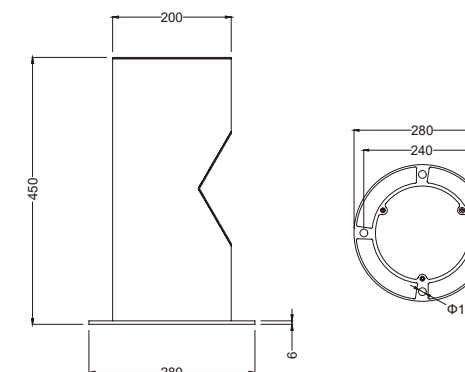
## CERTIFICATE



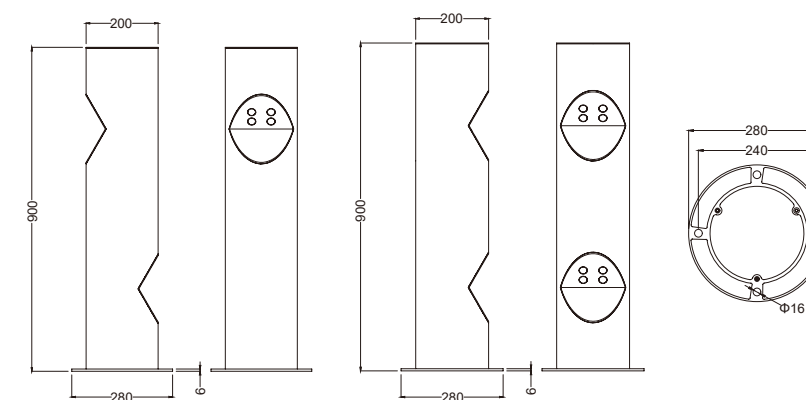
## PRODUCT SPECIFICATION

Item	NELSON	
Power	8W	16W
Efficiency	>120lm/w	
Lumen output	≥960lm	≥1920lm
Led chips	CREE XT-E	
CRI	>80	
Life span	60,000hrs at Ta=25deg, L70/B10	
Color Temperature	2700K-6500K	
Optic lens	PC Lenses	
Driver	MW XLG series ( others upon request )	
Input Voltage	100~305 VAC (Depending on driver model) 47~63 Hz	
Power factor	>95%	
THD	<10%	
Protection level	CLASS I	
SPD	10KV (optional 20KV or other)	
Housing	aluminum by die-casting	
Finish	powder coating	
Housing color	● RAL 7035	● RAL7024 ( others upon request )
IP Rating	IP66	
IK Rating	IK09	
Working Temperature	-30°C ~ + 65°C	
Warranty	5 years	

## Nelson-mini



## Nelson-maxi





# MEGA A

LED Bollard light series



**HOUSING**

Diecast aluminum, Stainless steel screws, Silicon seal gaskets

**DIFFUSER**

clear crystal glass

**COLOR TEMPERATURE**

3000K, 5700K

**LUMENS MEASURED**

Luminaire lumens, 3000K

**FINISH**

Dark gray or Silver powdercoating

**PROTECTION CLASS**

IP 65

**ELECTRICAL DATA**

- LED 14W, 220~240V, 50~60Hz, Integral driver

APPLICATIONS



BUILDING SURROUNDS



PARKS, PROMENADES & PATHWAYS



PEDESTRIAN AREAS & CYCLE PATHS



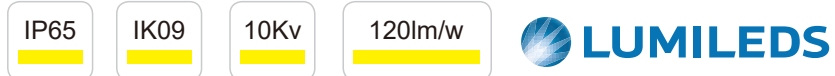
URBAN & RESIDENTIAL STREETS





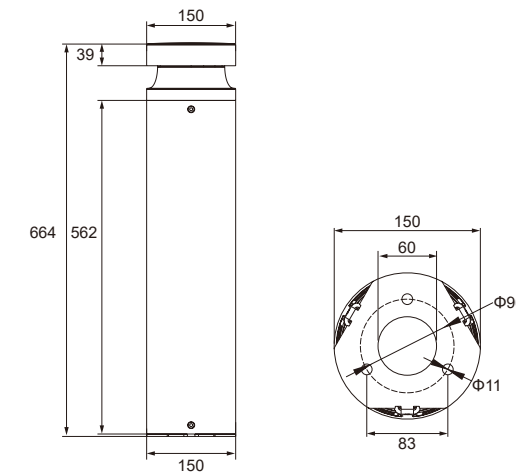
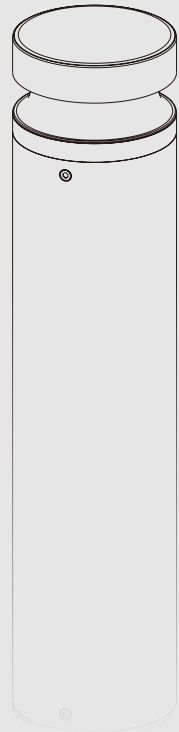
# MEGAA LED Bollard light Specification

## CERTIFICATE



## PRODUCT SPECIFICATION

Item	MEGAA		
Power	10W	15W	20W
Efficiency	>120lm/w		
Lumen output	≥1200lm	≥1800lm	≥2400lm
Led chips	LUXEON 3030 2D		
CRI	>80		
Life span	60,000hrs at Ta=25deg, L70/B10		
Color Temperature	2700K-6500K		
Optic lens	PC		
Driver	Philips Xi-EP series ( Meanwell/Inventronic/Osram upon request )		
Input Voltage	100~305 VAC (Depending on driver model) 47~63 Hz		
Power factor	>95%		
THD	<10%		
Protection level	CLASS I		
SPD	10KV (optional 20KV or other)		
Housing	aluminum by die-casting		
Finish	powder coating		
Housing color	● RAL 7035	● RAL7024 ( others upon request )	
IP Rating	IP65		
IK Rating	IK08		
Working Temperature	-30°C ~ + 65°C		
Warranty	5 years		





# MEGA B

LED Bollard light series



#### HOUSING

Diecast aluminum, Stainless steel screws, Silicon seal gaskets

#### DIFFUSER

clear crystal glass

#### COLOR TEMPERATURE

3000K, 5700K

#### LUMENS MEASURED

Luminaire lumens, 3000K

#### FINISH

Dark gray or Silver powdercoating

#### PROTECTION CLASS

IP 65

#### ELECTRICAL DATA

- LED 14W, 220~240V, 50~60Hz, Integral driver

#### APPLICATIONS



BUILDING SURROUNDS



PARKS, PROMENADES & PATHWAYS



PEDESTRIAN AREAS & CYCLE PATHS

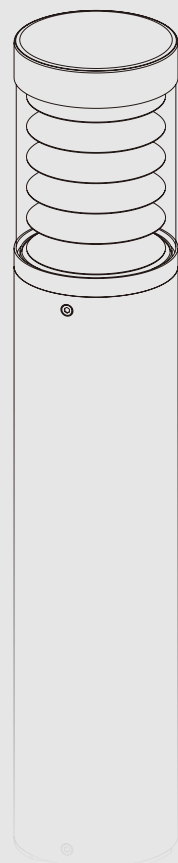


URBAN & RESIDENTIAL STREETS





# MEGA B LED Bollard light Specification

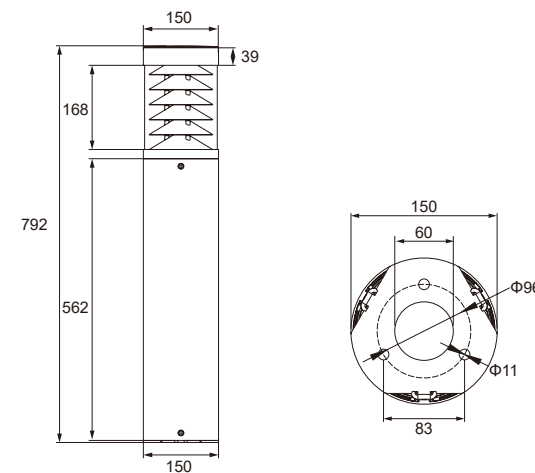


## CERTIFICATE



## PRODUCT SPECIFICATION

Item	MEGA B		
Power	10W	15W	20W
Efficiency	>60lm/w		
Lumen output	≥600lm	≥900lm	≥1200lm
Led chips	CREE CXA series		
CRI	>80		
Life span	50,000hrs at Ta=25deg, L70/B10		
Color Temperature	2700K-6500K		
Optic lens	PC Cover		
Driver	Philips Xi-EP series ( Meanwell/Inventronic/Osram upon request )		
Input Voltage	100~305 VAC (Depending on driver model) 47~63 Hz		
Power factor	>95%		
THD	<10%		
Protection level	CLASS I		
SPD	10KV (optional 20KV or other)		
Housing	aluminum by die-casting		
Finish	powder coating		
Housing color	● RAL 7035	● RAL7024 ( others upon request )	
IP Rating	IP65		
IK Rating	IK09		
Working Temperature	-30°C ~ + 65°C		
Warranty	5 years		





# MAROLA PLUS

LED Bollard light series



#### HOUSING

Diecast aluminum, Stainless steel screws, Silicon seal gaskets

#### DIFFUSER

clear crystal glass

#### COLOR TEMPERATURE

3000K, 5700K

#### LUMENS MEASURED

Luminaire lumens, 3000K

#### FINISH

Dark gray or Silver powdercoating

#### PROTECTION CLASS

IP 65

#### ELECTRICAL DATA

- LED 14W, 220~240V, 50~60Hz, Integral driver

#### APPLICATIONS



BUILDING SURROUNDS



PARKS, PROMENADES & PATHWAYS



PEDESTRIAN AREAS & CYCLE PATHS



URBAN & RESIDENTIAL STREETS





MAROLA PLUS LED Bollard light Specification

CERTIFICATE



PRODUCT SPECIFICATION

Item	MAROLA PLUS		
Power	10W	15W	20W
Efficiency	>140lm/w		
Lumen output	≥1400lm	≥2100lm	≥2800lm
Led chips	TD2835		
CRI	>80		
Life span	50,000hrs at Ta=25deg, L70/B10		
Color Temperature	2700K-6500K		
Optic lens	PC Cover		
Driver	AC solution (Optional driver)		
Input Voltage	100~240 VAC 47~63 Hz		
Power factor	>95%		
THD	<10%		
Protection level	CLASS I		
SPD	10KV ( Optional )		
Housing	aluminum by die-casting		
Finish	powder coating		
Housing color	● RAL 7035	● RAL7024 ( others upon request )	
IP Rating	IP66		
IK Rating	IK09		
Working Temperature	-30°C ~ + 65°C		
Warranty	5 years		

